

Product range



SVK - Water chiller with a cooling capacity of 15 to 70 kW, with tank and pump. Compact design with high temperature accuracy.



TRK - Immersion chiller for cooling lubricants with a cooling capacity of 2 to 70 kW. Service-friendly in maintenance and cleaning.



LWK - Air-type water recooler without refrigeration system with a cooling capacity of 2 to 2.5 kW, with tank and pump. The low-cost alternative for applications with higher water operating temperatures.



CHILLY - cooling-water chiller with a cooling capacity of 0.8 to 4.5 kW, with tank and pump. Space-saving and reliable.

In addition to our standard product range, we offer you solutions for liquid cooling in all industrial applications.

Our systems are available in compact or split design, air or water cooled.

Continuous-flow recoolers and expansions with cleanable plate-type heat exchangers are just as available as versions with special voltages.

Our sales team of engineers and technicians is always available to you for comprehensive consultation. Do not hesitate, we are awaiting your enquiry!

HYFRA Industriekühlanlagen GmbH

Industriepark 54 · D-56593 Kunkel

Phone: +49 (0) 26 87 / 8 98-0 · Fax: +49 (0) 26 87 / 8 98-25 · E-mail: info@hyfra-pedia.com

www.hyfra-pedia.com

VWK

VWK
Shell & Tubes

SVK

TRK

CHILLY

VWK
Desk Unit

LWK

Special



VWK/1

Water Chiller

Plug-in water chillers.
Cooling capacity from 2 to 70 kW



Competence and experience in industrial cooling systems

VWK water chiller

Standard equipment:

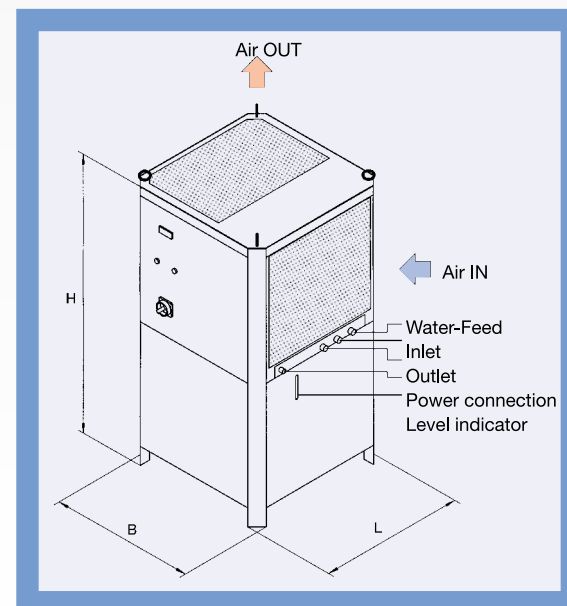
- Water control
- Stainless steel frame
- Stainless steel coil evaporator
- Chiller IP 54
- Operating temp. 37° C max. ambient
- High tech scroll compressor / low noise
- High efficiency air cooled condenser
- Digital thermostat hysteresis +/- 1,0 K
- Refrigerant circuit with TÜV approved low and high pressure switch
- By-Pass valve
- Draining through water level control
- All systems with control transformer. no neutral required
- Environment friendly refrigerant R407C
- CH-pump with carbide / carbide shaft seal
- Panels in RAL colour on request

Options:

- DC voltage - control circuit
- Drain valve for tank
- Water outlet manometer
- Water level switch for pump-protection
- Winter start up regulation (0-50-100%)
- Common alarm (potential free)
- Special voltage
- Flow switch
- Common alarm (potential free)
- Water set point +40° C max.
- Hand shut off valve between tank and pump
- Wire labelling
- Harting connectors / plugs
- Refrigerant R 134 A
- Non return valve + magnetic valve
- Hysteresis +/- 0,3 K
- Air filter
- Stop process with low/high temperature alarm
- CR-pump for pressure above 3 bar with carbide / carbide shaft seal
- Stainless steel piping
- Operating temperature > 37° C ambient



Basket evaporator



Technical data

Cooling capacities

Temperatures		VWK 20/1	VWK 30/1	VWK 50/1	VWK 70/1	VWK 90/1	VWK 110/1	VWK 140/1	VWK 180/1	VWK 220/1	VWK 270/1	VWK 320/1	VWK 360/1	VWK 440/1	VWK 540/1	VWK 640/1
Ambient air	Water	Cooling capacities in kW														
32° C	10° C	1,9	3,2	5,2	6,6	9,7	11,8	14,1	16,9	21,4	25,7	31,4	33,9	42,9	51,4	62,9
	15° C	2,4	4,0	6,2	7,8	11,5	13,9	16,6	20,0	25,3	29,9	37,0	40,0	50,7	59,9	74,1
	20° C	2,7	4,5	6,9	8,7	12,6	15,4	18,3	21,7	28,0	33,5	41,5	43,5	56,0	67,1	83,1
37° C	10° C	1,8	2,8	5,1	6,0	9,1	10,9	13,1	16,7	20,2	23,9	29,6	33,4	40,5	47,9	59,2
	15° C	2,5	3,6	6,1	7,2	10,7	13,0	15,7	20,0	23,9	28,2	34,9	40,0	47,8	56,5	69,8
	20° C	2,6	4,1	6,7	7,9	11,8	14,4	17,2	21,7	25,6	31,1	37,9	43,5	51,3	62,4	75,9
42° C	10° C	1,7	3,2	4,7	5,9	8,7	9,1	12,9	15,6	19,6	22,9	25,0	31,4	39,3	45,8	50,0
	15° C	2,1	3,4	5,7	7,1	10,2	11,4	15,4	18,5	23,5	27,4	30,9	37,0	47,1	54,9	61,9
	20° C	2,6	3,9	6,4	7,9	11,2	13,0	17,0	20,4	25,6	30,2	35,0	40,9	51,3	60,6	70,0

All standard machines are specified for a maximum ambient temperature of + 37° C.
 *) Machines for + 42° C maximum ambient temperature are available at extra cost. Machine sizes will not change.

Specifications

		VWK 20/1	VWK 30/1	VWK 50/1	VWK 70/1	VWK 90/1	VWK 110/1	VWK 140/1	VWK 180/1	VWK 220/1	VWK 270/1	VWK 320/1	VWK 360/1	VWK 440/1	VWK 540/1	VWK 640/1
Number of Scroll-compressors		1	1	1	1	1	1	1	1	1	1	1	2	2	2	2
Power consumption compressor max.	kW	1,4	2,0	2,6	3,1	4,3	5,9	6,2	7,9	9,7	11,1	15,5	15,8	19,4	22,2	31,0
Power consumption max.	kW	2,6	3,4	4,0	4,7	6,1	7,9	8,9	10,6	12,4	14,2	18,9	21,2	24,8	28,4	37,2
Current max.	A	4,8	6,2	7,1	8,1	10,6	13,9	15,4	18,7	21,3	25,0	32,2	37,7	42,9	50,3	63,1
Air flow rate max.	m ³ /h	2800	4500	4500	4500	5500	6100	9300	9300	9300	11000	12600	18600	18600	22000	25200
Water tank volume	ltr.	90	90	90	120	120	120	300	300	300	300	300	500	500	500	500
Water pressure	bar	3,4	3,4	3,4	3,8	3,8	3,8	4,2	4,2	4,2	4,2	4,2	4,0	4,0	4,0	4,0
Nominal water flow	m ³ /h	1,5	1,5	1,5	2,0	2,0	2,0	3,5	3,5	3,5	3,5	3,5	8,0	8,0	8,0	8,0
Water connection inlet / outlet	inch	3/4	3/4	3/4	3/4	3/4	3/4	1	1	1	1	1	2	2	2	2
Water connections feed	inch	3/4	3/4	3/4	3/4	3/4	3/4	3/4	3/4	3/4	3/4	3/4	3/4	3/4	3/4	3/4
Length (L)	mm	715	715	715	715	715	715	1000	1000	1000	1000	1000	2000	2000	2000	2000
Width (B)	mm	715	715	715	715	715	715	1000	1000	1000	1000	1000	1000	1000	1000	1000
Height (H)	mm	1375	1375	1375	1375	1375	1375	2000	2000	2000	2000	2000	2000	2000	2000	2000
Weight (approx.)	kg	170	170	180	190	200	200	320	370	400	400	410	740	800	800	810

Power supply 3/PE/400 V/50 Hz. Control voltage 24 V AC. All technical data is valid for machines with a maximum ambient temperature of + 42° C. Specifications subject to change.